

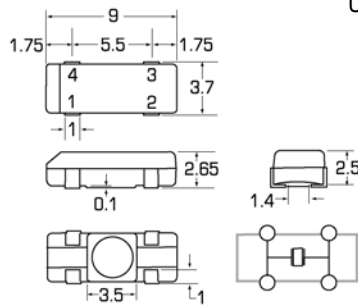
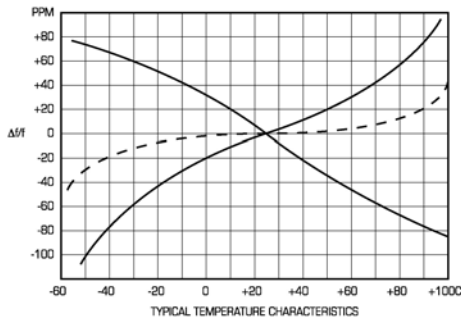


Electrical Specifications

Model	S 14
Frequency Range	11.059200MHz ~ 70.0 MHz
Frequency Tolerance @ 25°C	± 50ppm
Temperature Stability Tolerance	± 100ppm over -20°C to +70°C (AT-CUT) ± 100ppm over -10°C to +60°C (BT-CUT)
Equivalent Series Resistance	Resistance Specifications Below (See Chart Below)
Load Capacitance	16pF, Customer Specify
Shunt Capacitance	5pF Max
Drive Level	100µ Watts Max
Reflow Soldering Condition	10 Seconds Max @ +260°C

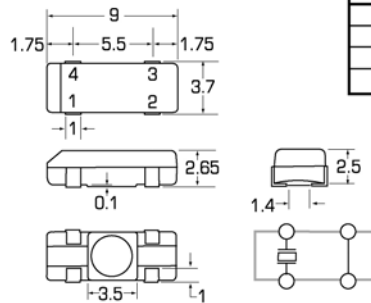
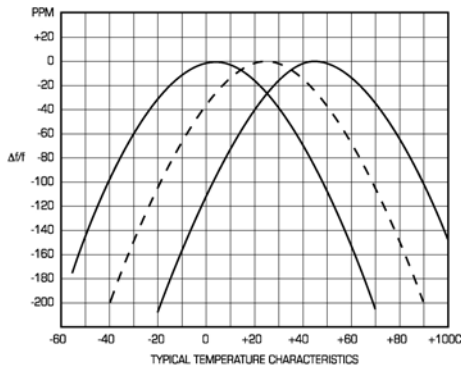
Mechanical Specifications

AT-CUT



Unit : mm

BT-CUT



Frequency	Equivalent Series Resistance	Oscillation Mode
11.0592MHz+	100Ω Max	Fundamental
12.0000MHz+	80Ω Max	Fundamental
17.0000MHz+	60Ω Max	3rd Overtone
35.0000MHz+	100Ω Max	3rd Overtone

