

3.2 X 2.5mm SMD Crystal

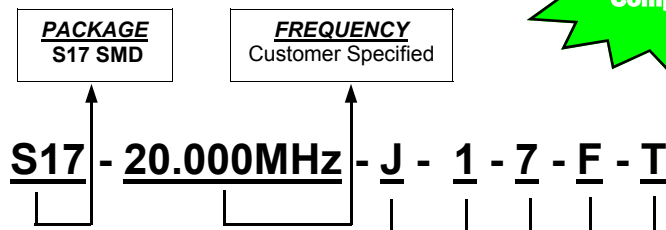
S17 Series



Features of the S17 series Crystal:

- RoHS compliant (Pb free)
- Small package (3.2 x 2.5 x 0.75mm)
- Performance optimized for mobile phones & Bluetooth applications
- Tight tolerance up to 10ppm

Part Number Guide



TOLERANCE/STABILITY vs. TEMP
 J ... Production Specified (see table below)

OPERATING TEMPERATURE
 2....-10°C to +60°
 4....-40°C to +85°C
 5....Customer Specified

LOAD CAPACITANCE
 7....10 pF
 X...Customer Specified

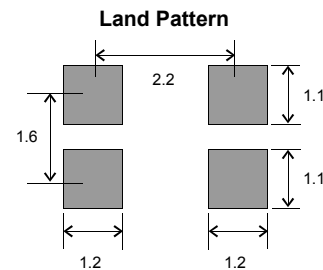
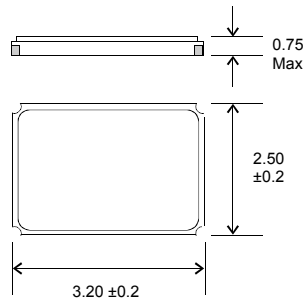
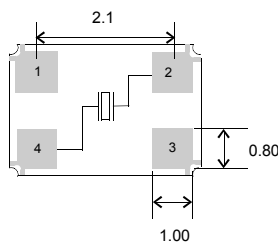
MODE OF OPERATION
 FFundamental

OPTIONS
 T....Tape & Reel
 R...RoHS Compliant

Electrical Specifications

Frequency Range	12.000 MHz ~ 50.000 MHz
Standard Frequencies	12.000, 16.000, 20.000, 24.000, 25.000, 26.000, 30.000, 32.000, 40.000 & 50.000
Mode	Fundamental AT cut
Frequency Tolerance	±10ppm Min, ±30ppm Typical @ 25°C
Temperature Tolerance	-10°C to +60°C ±15ppm / ±25ppm -10°C to +70°C (typical) ±15ppm / ±25ppm / ±30ppm (typical) / ±50ppm -40°C to +85°C ±25ppm / ±30ppm / ±50ppm / ±100ppm
Storage Temperature	-40°C ~ +85°C
ESR	12.0MHz ~ 19.999MHz > 100Ω Max 20.0MHz ~ 26.999MHz > 80Ω Max 27.0MHz ~ 50.0MHz > 60Ω Max
Shunt Capacitance	7pF Max.
Load Capacitance	10pF Min to 16pF Max
Drive Level	10μW Typical, 100μW Max
Aging	±2ppm Max. (25°C ±3°C)/ (1 st year)

Mechanical Specifications



Unit : mm



Cal Crystal Lab., Inc.

15302 Bolsa Chica Street, Huntington Beach, CA 92649
 Ph: 714-991-1580 / 800-333-9825 Fax: 714-491-9825

www.calcrystal.com

e-mail: sales@calcrystal.com

Ver. 2.2 0906