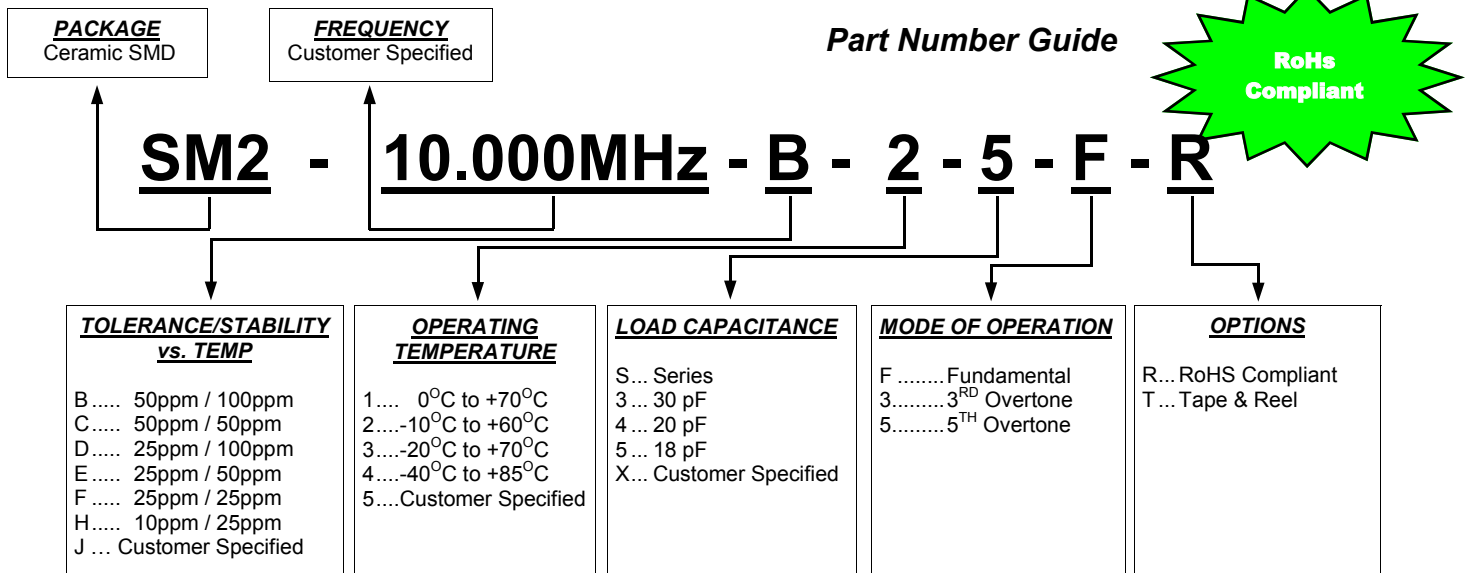


Ceramic AT Cut SMD Crystal

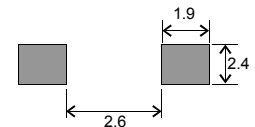
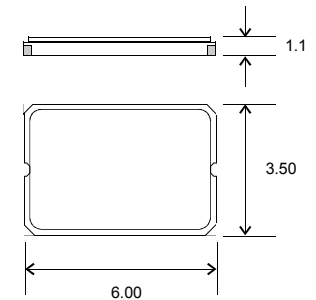
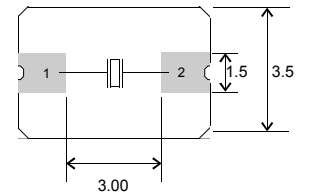
SM2 / S2A



Electrical Specifications

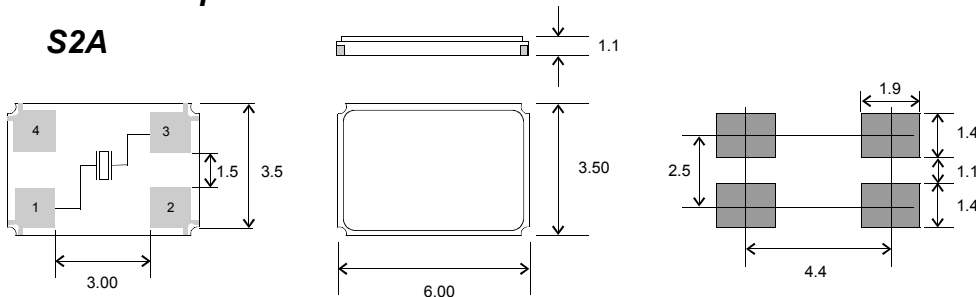
Frequency Range	12.000 MHz ~ 100.000 MHz
Standard Frequencies	12.0 ~ 50.0MHz - Fundamental, 50.0 ~ 100.000MHz - 3 RD O.T.
Mode	Fundamental & 3 RD Overtone AT cut
Frequency Tolerance	±50ppm @ 25°C, Optional Tolerances Available
Temperature Tolerance	±50ppm 0°C to +70°C, Extended Temperatures Ranges Available
Storage Temperature	-55°C ~ +125°C
ESR	12.0MHz ~ 15.999MHz > 80Ω Max 16.0MHz ~ 19.999MHz > 60Ω Max 20.0MHz ~ 49.999MHz > 40Ω Max 50MHz ~ 100.000MHz > 1000Ω Max (3 RD O.T.)
Shunt Capacitance	7pF Max.
Load Capacitance	Series Resonance 16pF, 20pF, 30pF
Drive Level	10μW ~ 100μW, 100μW Typical
Aging	±2ppm Max. (25°C ±3°C)/ (1 st year)

SM2



Mechanical Specifications

S2A



Land Patterns

Unit : mm



Cal Crystal Lab., Inc.

www.calcrystal.com

15302 Bolsa Chica Street, Huntington Beach, CA 92649
Ph: 714-991-1580 / 800-333-9825 Fax: 714-491-9825

e-mail: sales@calcrystal.com

Ver. 2.2 0806