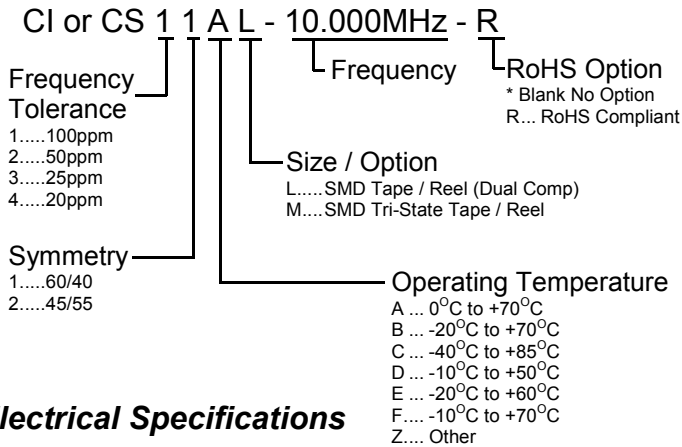


SMD CLOCK OSCILLATORS

CI / CS Series

SURFACE MOUNT OSCILLATOR - 5 X 7mm CERAMIC PACKAGE



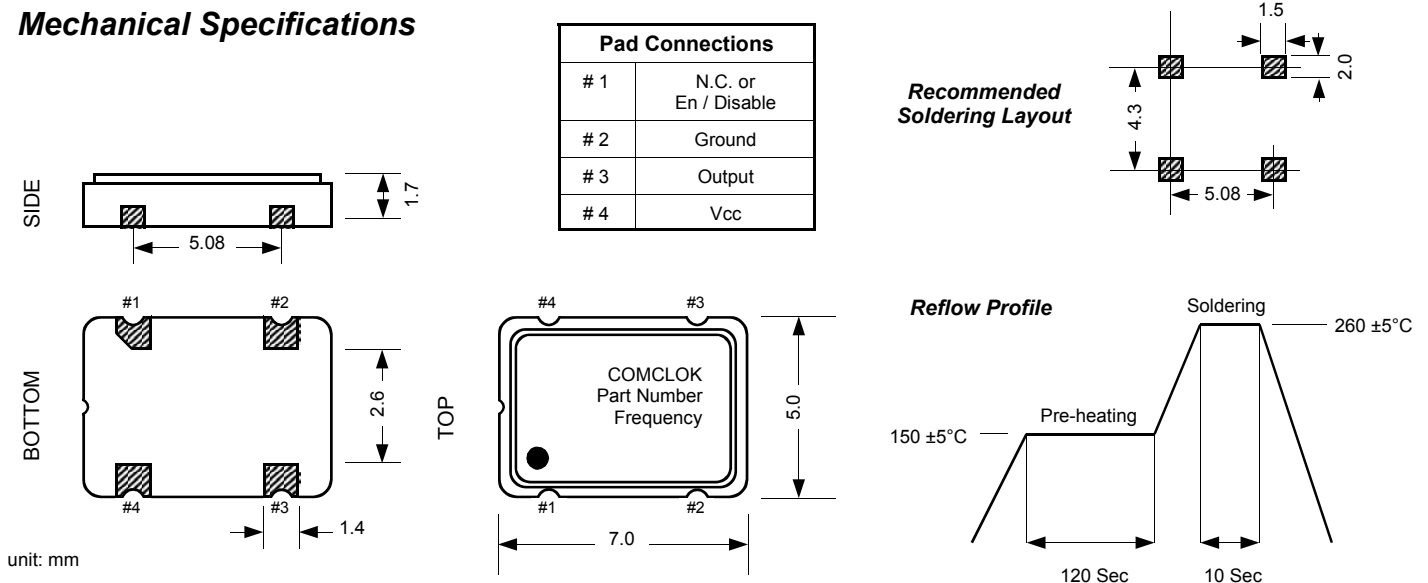
Features of the CI / CS series clock oscillator:

- CI = 5Vdc
- CS = 3.3Vdc
- Industry standard (5X7mm Ceramic SMD)
- Fast rise and fall times
- Tight stability available
- Hermetically sealed
- Wide frequency range

Electrical Specifications

MODEL		CI - 5.0vdc	CS - 3.3vdc
FREQUENCY RANGE		1.5 ~ 80 MHz	
FREQUENCY STABILITY		±25ppm to ±100ppm	
OPERATING TEMP.		0°C ~ 70°C	
POWER	VOLTAGE	+5.0VDC ±10%	+3.3VDC ±10%
SUPPLY	CURRENT	10mA - 50mA	
	SYMMETRY	50% ±10% STD 50% ±5% avail.	
OUTPUT	RISE/FALL TIME	5 nS typ., 10 nSmax	
	FAN OUT	10 TTL 15pF CMOS	
OPTION		En/Disable, Tri-state	

Mechanical Specifications



Comclok, Inc.

www.calcrystal.com

15302 Bolsa Chica Street, Huntington Beach, CA 92649
 Ph: 714-991-1580 / 800-333-9825 Fax: 714-491-9825

e-mail: sales@calcrystal.com