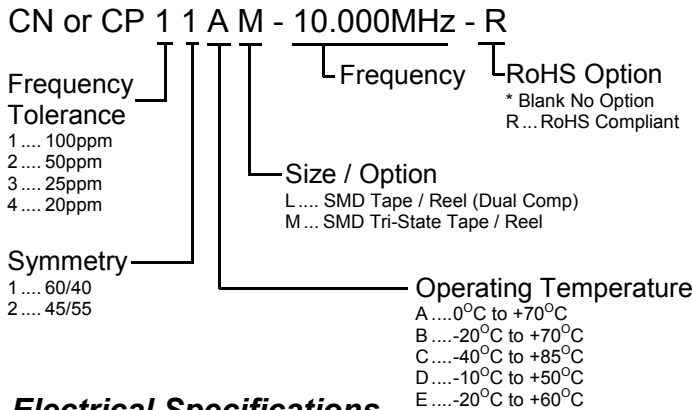


Dual HCMOS / TTL "J" Leaded SMD CN / CP Series



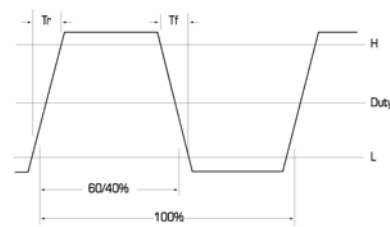
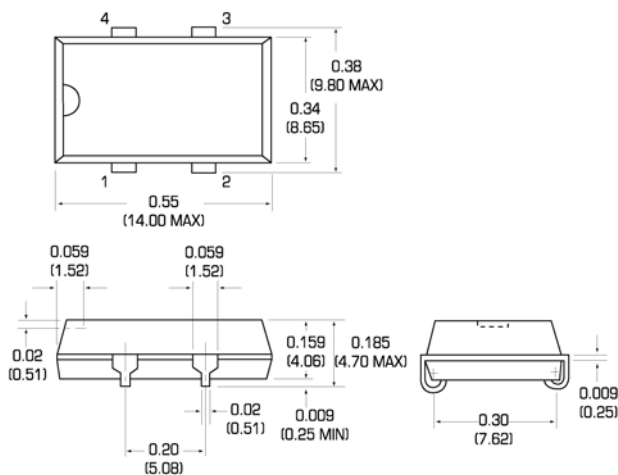
Features of the CN / CP series clock oscillator:

- CN = 3.3Vdc
- CP = 5.0Vdc
- Industry standard (14 & 8 pin dip compatible)
- Fast rise and fall times
- Tight stability available
- Hermetically sealed / Injection Molded
- Wide frequency range
- Drives Either HCMOS or TTL Loads

Electrical Specifications

MODEL	CN	CP
FREQUENCY RANGE	1.0 MHz ~ 70.00 MHz	1.0 MHz ~ 70.00 MHz
FREQUENCY STABILITY	±100ppm Standard, Optional Tolerances Available	
OPERATING TEMP. RANGE	0°C ~ 70°C Standard, Extended Tolerances Available	
STORAGE TEMPERATURE	-55°C ~ +125°C	
CURRENT CONSUMPTION	1.0 MHz ~ 20.0 MHz 5mA ~ 15mA,	20.0 MHz ~ 70.0 MHz 15mA ~ 40mA
SUPPLY VOLTAGE	+3.3 VDC ±10%	+5.0 VDC ±10%
SYMMETRY	40/60% @ 50% Vcc Standard, Optional Tolerances Available	
RISE/FALL TIME (T _R , T _F)	5 nS max	6 nS max
LOGIC "1" & "0"	Logic "1" = 4.5VDC Min. / Logic "0" = 0.5VDC Max.	
OUTPUT LOAD	10 TTL Max. / 15pF	
Aging	< 5ppm per year	
Enable Input (optional)	Enable - Logic "1" = 2.0 vdc Min. / Disable - Logic "0" = 0.5 vdc Max	

Mechanical Specifications



	Tr	TF	L	H	Duty
TTL	0.4-2.4V	2.4-0.4V	0.4V	2.4V	1.4V
COMS	0.5-4.5V	4.5-0.5V	COMS 20%	80%	50%

CN "J" Lead SMD	
# 1	N.C. or Tri-State
# 2	GND
# 3	OUTPUT
# 4	+3.3 VDC ±10%

CP "J" Lead SMD	
# 1	N.C. or Tri-State
# 2	GND
# 3	OUTPUT
# 4	+5.0 VDC ±10%



Comclok, Inc.

www.calcrystal.com

15302 Bolsa Chica Street, Huntington Beach, CA 92649
 Ph: 714-991-1580 / 800-333-9825 Fax: 714-491-9825

e-mail: sales@calcrystal.com