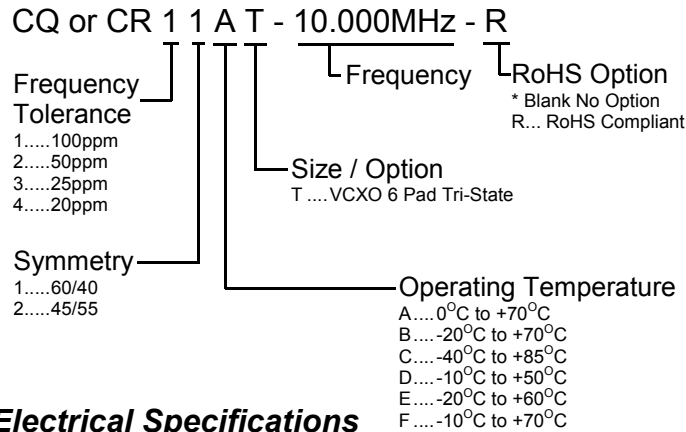


SURFACE MOUNT VCXO 5 x 7mm CERAMIC PACKAGE

CQ / CR Series



Features of the CQ / CR series SMD VCXO:

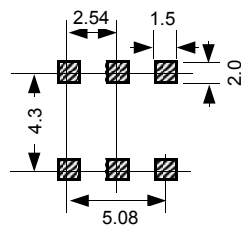
- CQ = 5Vdc
- CR = 3.3Vdc
- Industry standard (5X7mm 6 pad package)
- Fast rise and fall times
- Hermetically sealed
- Wide frequency range

Electrical Specifications

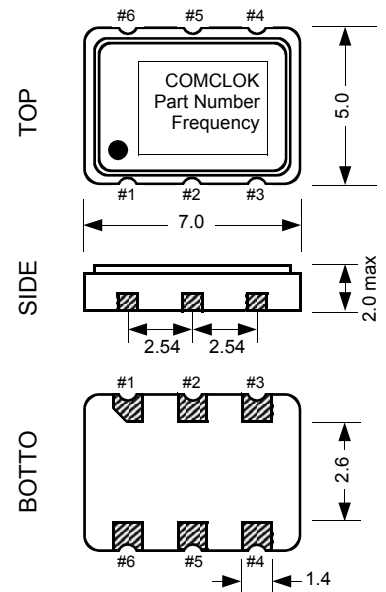
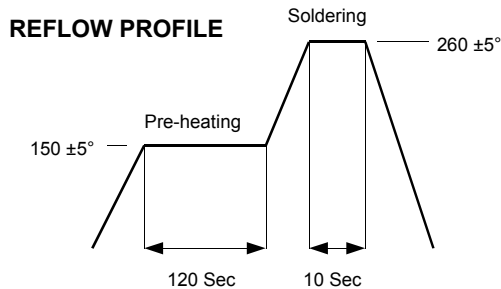
MODEL	CQ	CR
FREQUENCY RANGE	1.0 ~ 50.0 MHz	1.0 ~ 50MHz (fund.) 50 ~ 200MHz (multi.)
FREQUENCY STABILITY	±50ppm to ±100ppm	
OPERATING TEMP. RANGE	0°C ~ 70°C OPTION ET: -40 ~ 85°C	
SUPPLY VOLTAGE	+5.0 VDC ±5%	+3.3 VDC ±5%
SUPPLY CURRENT	18mA Max. (1.75 ~ 34.0 MHz) - 25mA Max (34.0 ~ 200.0 MHz)	
SYMMETRY	40/60% OPTION S:45/55%	
RISE/FALL TIME	6 nS max	
FAN OUT	1 TO 10 TTL AND 15pF CMOS	
FREQUENCY DEVIATION	± 100ppm min. (other pull options available)	
CENTER VOLTAGE	2.5V	1.65V
CONTROL VOLTAGE RANGE	0.5V ~ 4.5V	0.3V ~ 3.0V

Mechanical Specifications

Recommended Pad Layout



Pad Connections	
# 1	V Con
# 2	En / Disable
# 3	GND
# 4	Output
# 5	N. C.
# 6	Vcc



Comcllok, Inc.

www.calcrystal.com

15302 Bolsa Chica Street, Huntington Beach, CA 92649
Ph: 714-991-1580 / 800-333-9825 Fax: 714-491-9825

e-mail: sales@calcrystal.com