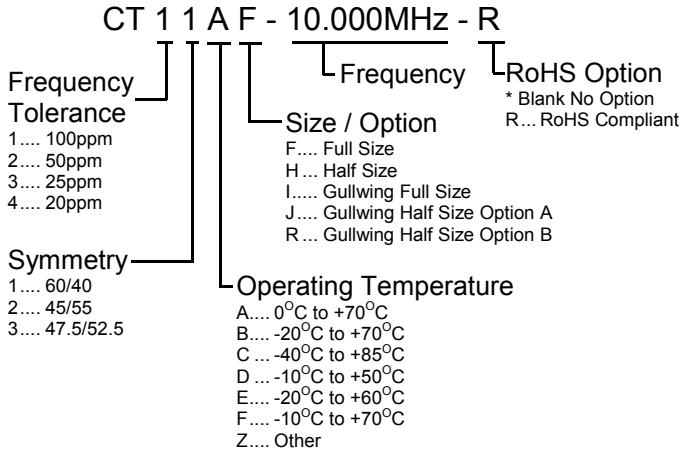


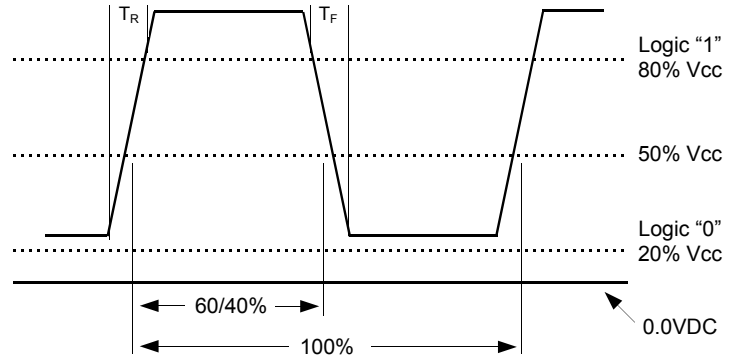
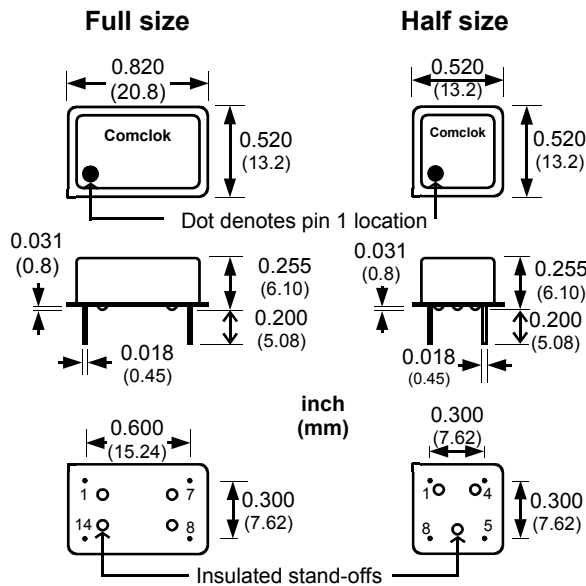
# Tri-State Dual HCMOS / TTL 14 & 8 pin DIP CT Series



### Features of the CT series clock oscillator:

- RoHS compliant available
- 5VDC
- Industry standard (14 & 8 pin dip compatible)
- Fast rise and fall times
- Case ground for low EMI
- Hermetically sealed / resistance welded
- Wide frequency range
- Drives Either HCMOS or TTL Loads

MODEL	CT	
FREQUENCY RANGE	10.0 kHz ~ 69.99 MHz	70.000 MHz ~ 160.000 MHz
FREQUENCY STABILITY	±100ppm Standard, Optional Tolerances Available	
OPERATING TEMP. RANGE	0°C ~ 70°C Standard, Extended Tolerances Available	
STORAGE TEMPERATURE	-55°C ~ +125°C	
SUPPLY VOLTAGE	+5.0 VDC ±10%	
CURRENT CONSUMPTION	10.0 kHz ~ 23.999 MHz 15mA Max. 24.000 ~ 69.000 MHz 30mA Max.	70.000 ~ 99.999 MHz 30mA Max. 100.000 ~ 129.999 MHz 35mA Max. 130.000 ~ 160.000 MHz 40mA Max.
SYMMETRY	40/60% @ 50% Vcc Standard, Optional Tolerances Available	
LOGIC "1" & "0"	Logic "1" = 4.5VDC Min. / Logic "0" = 0.5VDC Max.	
RISE/FALL TIME (T <sub>R</sub> , T <sub>F</sub> )	6 nS max	3 nS Max.
OUTPUT LOAD	10 TTL Max. / 15pF	2 TTL Max. / 15pF
TRI-STATE FUNCTION	Enable - Logic "1" (V <sub>IH</sub> ) ≥ 2.0VDC / Disable - Logic "0" (V <sub>IL</sub> ) < 0.5VDC (disabled = high Z)	
Aging	< 5ppm per year	



Full Size CT (14 pin)	
# 1	En / Disable
# 7	GND
# 8	OUTPUT
# 14	+5.0 VDC ±10%

Half Size CT (8 pin)	
# 1	En / Disable
# 4	GND
# 5	OUTPUT
# 8	+5.0 VDC ±10%



## Comclok, Inc.

www.calcrystal.com

15302 Bolsa Chica Street, Huntington Beach, CA 92649  
 Ph: 714-991-1580 / 800-333-9825 Fax: 714-491-9825

e-mail: sales@calcrystal.com

Ver. 2.3 0307