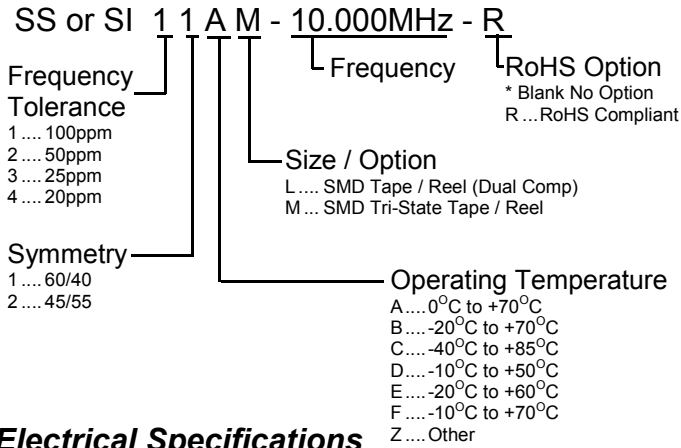


ULTRA MINIATURE SMD OSCILLATOR SI / SS Series



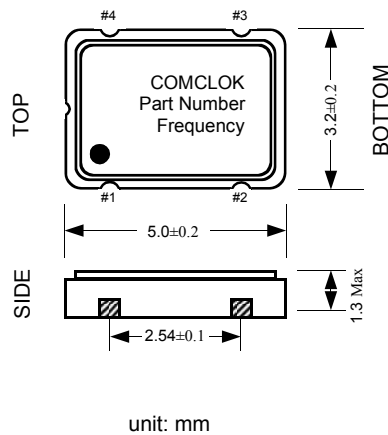
Features of the SS / SI series clock oscillator:

- SS = 3.3Vdc
- SI = 1.8Vdc
- Industry standard (5.0 X 3.2 X 1.3mm SMD)
- Fast rise and fall times
- Tight stability available
- Hermetically sealed
- Wide frequency range

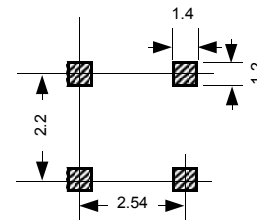
Electrical Specifications

MODEL		SS	SI
FREQUENCY RANGE		1.544 ~ 125.000 MHz	
FREQUENCY STABILITY		±25ppm, ±50ppm, ±100ppm	
OPERATING TEMP.		0°C ~ 70°C (-40°C ~ 85°C optional)	
STORAGE TEMP.		-55°C ~ 125°C	
SUPPLY VOLTAGE		+3.3VDC ±10%	+1.8VDC ±10%
SUPPLY CURRENT	1.544 ~ 9.999MHz	8mA Max	6mA Max
	10.000 ~ 34.999MHz	10mA Max	7mA Max
	35.000 ~ 49.999MHz	25mA Max	15mA Max
	50.000 ~ 125.000MHz	35mA Max	20mA Max
SYMMETRY		60/40% @ 1/2 VDD STD, 45/55% optional	
OUTPUT	RISE TIME "Tr"	7 nS Max	5 nS Max
	FALL TIME "Tf"	7 nS Max	5 nS Max
OUTPUT LOAD		30pF Max (15pF STD)	
OPTION		Pin 1 tri-state function	

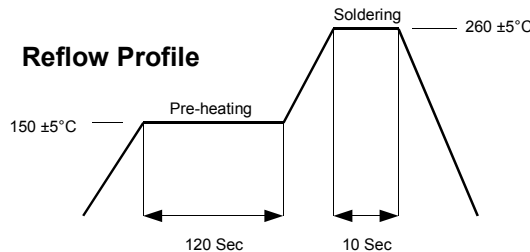
Mechanical Specifications



Recommended Soldering Layout



Reflow Profile



Pad Connections

Pin	Connection
# 1	N.C. or Tri-State
# 2	Ground
# 3	Output
# 4	Vcc (3.3 or 1.8VDC)



Comclok, Inc.

www.calcrystal.com

15302 Bolsa Chica Street, Huntington Beach, CA 92649
 Ph: 714-991-1580 / 800-333-9825 Fax: 714-491-9825

e-mail: sales@calcrystal.com