

# TCXO

TV / TC Series

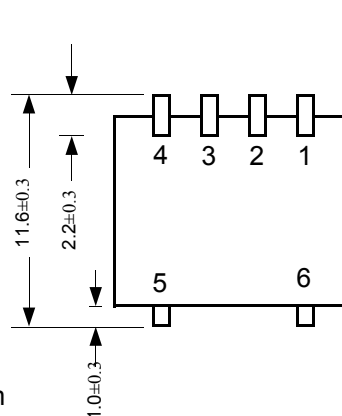
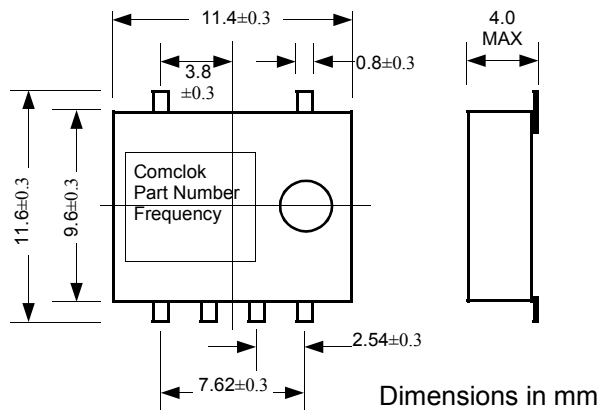
**RoHS  
Compliant**

TV 3.3V<sub>DC</sub> & TC 5.0V<sub>DC</sub>

Operating Temperature		Frequency Stability ( <sup>+</sup> / <sub>-</sub> ppm) * Denotes Availability							
Range		1.5	2.0	2.5	3.0	3.5	4.0	4.5	5.0
0 ~ 50° C		*	*	*	*	*	*	*	*
-10 ~ 60° C		*	*	*	*	*	*	*	*
-10 ~ 70° C			*	*	*	*	*	*	*
-20 ~ 70° C			*	*	*	*	*	*	*
-30 ~ 60° C				*	*	*	*	*	*
-30 ~ 70° C				*	*	*	*	*	*
-30 ~ 75° C				*	*	*	*	*	*
-40 ~ 80° C						*	*	*	*
-40 ~ 85° C									*

Output		TTL / HCMOS		Clipped Sinewave	
Frequency Range		1.5MHz—35MHz		10.0MHz—35MHz	
Output	Load	10 TTL Load or 15pF HCMOS Load Max		10 Kohms // 10pF	
	Level	High	TTL : 2.4 V <sub>DC</sub> min CMOS : V <sub>DD</sub> -0.5 V <sub>DC</sub> min	1.0Vp-p min (V <sub>DD</sub> : 5.0V <sub>DC</sub> ) 0.8Vp-p Min (V <sub>DD</sub> : 3.3V <sub>DC</sub> )	
Lo	TTL : 0.4 V <sub>DC</sub> Max CMOS : 0.5 V <sub>DC</sub> Max				
Frequency Stability	Vs. Temp. Range	See Table			
	Vs. Input Voltage +/-5%	+/- 0.5 ppm Max			
	Vs. Load +/-10%	+/- 0.3 ppm Max			
	Vs. Aging (@ 25°C)	+/- 1 ppm / Year Max			
Input	Voltage	+5.0 V <sub>DC</sub> +/-5%	+3.3 V <sub>DC</sub> +/-5%	+5.0V <sub>DC</sub> +/-5%	+3.3V <sub>DC</sub> +/-5%
	Current	20mA Max		3mA Max	
Internal Trim (top of can)		+/- 3 ppm min			
Rise Time / Fall Time		10nS Max		-	
Duty Cycle		50% +/-10% Max		-	



## Pin Connections

	TV / TC
1	V <sub>CC</sub>
2	V.C. or N.C.
3	Ground
4	Output
5	Ground
6	Ground



# Comclock, Inc.

www.calcrystal.com

15302 Bolsa Chica Street, Huntington Beach, CA 92649  
Ph: 714-991-1580 / 800-333-9825 Fax: 714-491-9825

e-mail: sales@calcrystal.com

Ver. 2.2 0806