

PLASTIC MOLDED SMD TUNING FORK CRYSTAL (10.4 x 4.0 x 3.6mm)

FEATURES:

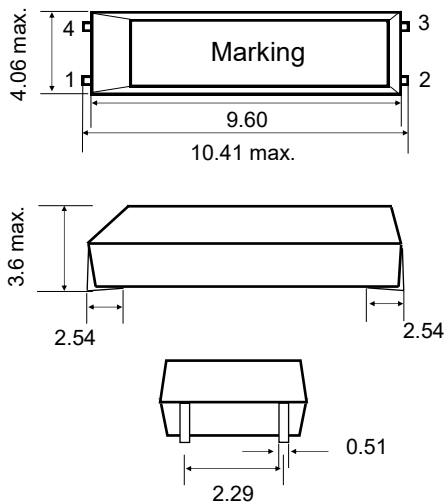
- TUNING FORK CRYSTAL
- INDUSTRIAL OPERATING TEMPERATURE RANGE (-40°C ~ 85°C)



SPECIFICATION

FREQUENCY	32.768kHz
FREQUENCY TOLERANCE @ 25°C	±20ppm
TEMPERATURE COEFFICIENT	-0.034ppm ±0.006 ppm / °C ²
OPERATING TEMPERATURE RANGE	-40°C ~ 85°C
STORAGE TEMPERATURE RANGE	-55°C ~ 125°C
TURN OVER TEMPERATURE	25°C ± 5°C
LOAD CAPACITANCE	6.0pF or 12.5pF (See PN guide below)
SHUNT CAPACITANCE	0.85pF typ.
MOTIONAL CAPACITANCE	0.002pF typ.
Q FACTOR	60000 typ.
CAPACITANCE RATIO	450 typ.
EQUIVALENT SERIES RESISTANCE	50kΩ max.
INSULATION RESISTANCE	500MΩ min. @ 100V _{DC} ± 15V _{DC}
DRIVE LEVEL	1.0μW max.
AGING @ 25°C ± 3°C	±5.0ppm/ 1 st year max.

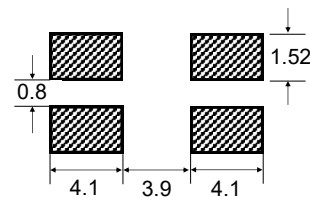
PACKAGE DIMENSIONS



Pin Configuration	
1	Xtal (pin 1)
2	GND/NC
3	GND/NC
4	Xtal (pin 2)

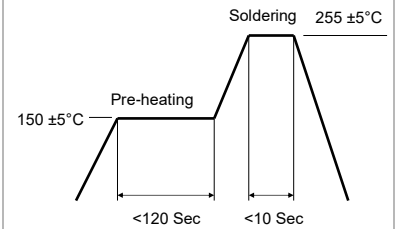
Unit : mm

SOLDER PATTERN



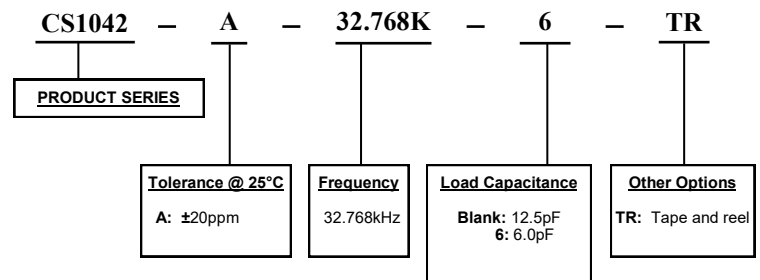
Unit : mm

REFLOW PROFILE



Note: Consult factory for detail

PART NUMBERING GUIDE



Transko Electronics, Inc reserves the right to make changes to the product (s), service (s), and specification (s) described herein without notice. See "Terms of Sale" for details on our website.