

STANDARD HC49/S THROUGH HOLE CRYSTAL (11.5 x 4.7 x 3.5mm)

FEATURES:

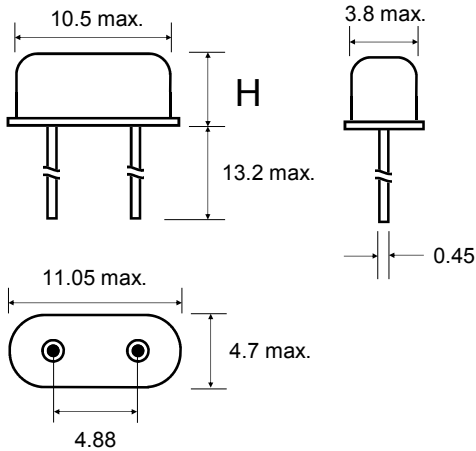
- WIDE FREQUENCY RANGE
- LOW COST / AT CUT
- LOW PROFILE



■ SPECIFICATION

FREQUENCY RANGE	3.000MHz ~ 150.000MHz
FREQUENCY TOLERANCE @ 25°C	±10ppm ~ ±50ppm (See P/N guide for other options)
FREQUENCY STABILITY	±10ppm ~ ±50ppm (See P/N guide for other options)
OPERATING TEMPERATURE RANGE	STD: -10°C to 70°C, Option: -40°C to 85°C (See P/N guide for other options)
STORAGE TEMPERATURE RANGE	-55°C to 125°C
LOAD CAPACITANCE	STD: 18pF (See P/N guide for other options)
SHUNT CAPACITANCE	7pF max.
INSULATION RESISTANCE	500MΩ min. @ 100V _{DC} ± 15V _{DC}
DRIVE LEVEL	1.0mW max.
AGING	±3.0ppm / 1 st year max.
SHOCK	±3.0ppm max. ±3Ω max.
VIBRATION	±3.0ppm max. ±3Ω max.
EQUIVALENT SERIES RESISTANCE	Fundamental: 3.000MHz ~ 6.000MHz: 150Ω max. 6.001MHz ~ 8.000MHz: 60Ω max. 8.001MHz ~ 16.000MHz: 50Ω max. 16.001MHz ~ 54.000MHz: 30Ω max. 3rd overtone: 24.000MHz ~ 36.000MHz: 100Ω max. 36.001MHz ~ 150.000MHz: 70Ω max.
OPERATION MODE	Fundamental or 3 rd overtone

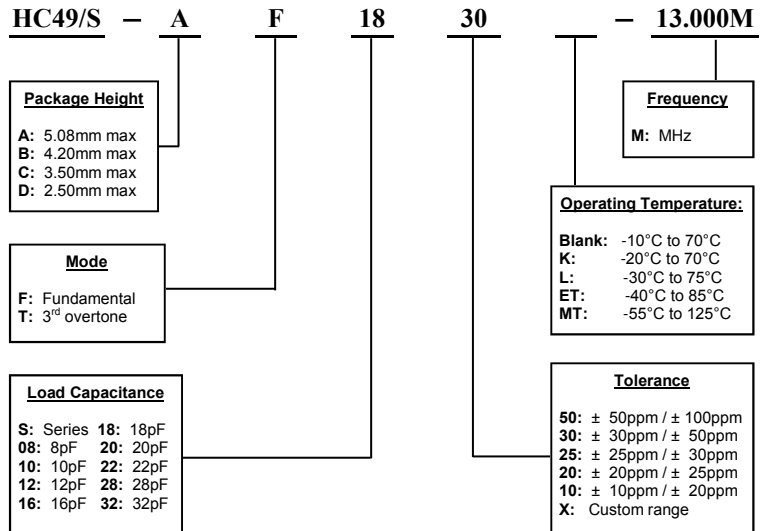
■ PACKAGE DIMENSIONS



Unit : mm

Height "H" max.	
PKG	mm
A	5.08
B	4.20
C	3.50
D	2.50

■ PART NUMBERING GUIDE



Transko Electronics, Inc reserves the right to make changes to the product (s), service (s), and specification (s) described herein without notice. See "Terms of Sale" for details on our website.