

## STANDARD THROUGH HOLE CRYSTAL (11.5 x 4.7 x 13.5mm)

### FEATURES:

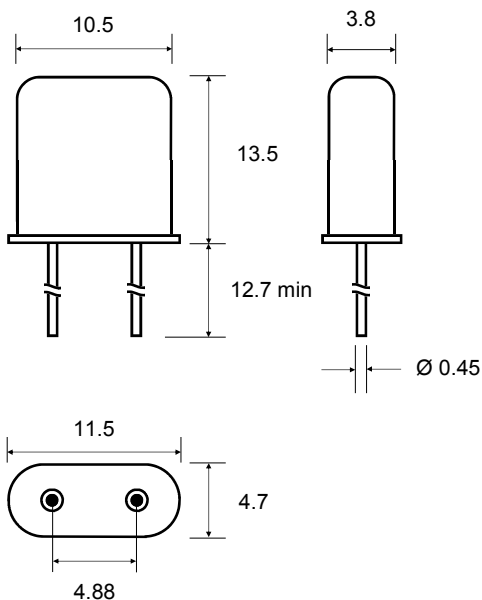
- WIDE FREQUENCY RANGE
- INDUSTRY STANDARD PACKAGE
- SHORTEST LEAD TIME / LOW COST



### ■ SPECIFICATION

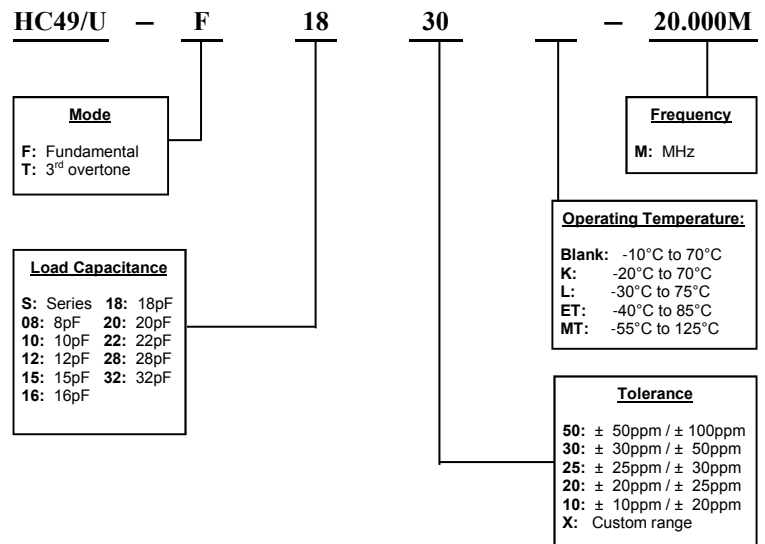
<b>FREQUENCY RANGE</b>	1.800MHz ~ 176.000MHz											
<b>FREQUENCY TOLERANCE @ 25°C</b>	±5.0ppm ~ ±100ppm (See P/N guide for other options)											
<b>FREQUENCY STABILITY</b>	±5.0ppm ~ ±100ppm (See P/N guide for other options)											
<b>OPERATING TEMPERATURE RANGE</b>	STD: -10°C to 70°C, Option: -40°C to 85°C (See P/N guide for other options)											
<b>STORAGE TEMPERATURE RANGE</b>	-55°C to 125°C											
<b>LOAD CAPACITANCE</b>	Series to 32pF (See P/N guide for other options)											
<b>SHUNT CAPACITANCE</b>	7pF max.											
<b>INSULATION RESISTANCE</b>	500MΩ min. @ 100V <sub>DC</sub> ± 15V <sub>DC</sub>											
<b>DRIVE LEVEL</b>	100μW typ., 500μW max.											
<b>AGING</b>	±3.0ppm / 1 <sup>st</sup> year max.											
<b>SHOCK</b>	±3.0ppm max. ±3Ω max.											
<b>VIBRATION</b>	±3.0ppm max. ±3Ω max.											
<b>EQUIVALENT SERIES RESISTANCE</b>	<b>Fundamental:</b>	<table border="0"> <tr> <td>1.000MHz ~ 2.000MHz: 350Ω max.</td> <td>2.001MHz ~ 3.000MHz: 300Ω max.</td> </tr> <tr> <td>3.001MHz ~ 3.500MHz: 150Ω max.</td> <td>3.501MHz ~ 4.000MHz: 100Ω max.</td> </tr> <tr> <td>4.001MHz ~ 5.000MHz: 80Ω max.</td> <td>5.001MHz ~ 6.000MHz: 60Ω max.</td> </tr> <tr> <td>6.001MHz ~ 8.000MHz: 50Ω max.</td> <td>8.001MHz ~ 13.000MHz: 35Ω max.</td> </tr> <tr> <td>13.001MHz ~ 48.000MHz: 25Ω max.</td> <td></td> </tr> </table>	1.000MHz ~ 2.000MHz: 350Ω max.	2.001MHz ~ 3.000MHz: 300Ω max.	3.001MHz ~ 3.500MHz: 150Ω max.	3.501MHz ~ 4.000MHz: 100Ω max.	4.001MHz ~ 5.000MHz: 80Ω max.	5.001MHz ~ 6.000MHz: 60Ω max.	6.001MHz ~ 8.000MHz: 50Ω max.	8.001MHz ~ 13.000MHz: 35Ω max.	13.001MHz ~ 48.000MHz: 25Ω max.	
	1.000MHz ~ 2.000MHz: 350Ω max.	2.001MHz ~ 3.000MHz: 300Ω max.										
3.001MHz ~ 3.500MHz: 150Ω max.	3.501MHz ~ 4.000MHz: 100Ω max.											
4.001MHz ~ 5.000MHz: 80Ω max.	5.001MHz ~ 6.000MHz: 60Ω max.											
6.001MHz ~ 8.000MHz: 50Ω max.	8.001MHz ~ 13.000MHz: 35Ω max.											
13.001MHz ~ 48.000MHz: 25Ω max.												
<b>3<sup>rd</sup> overtone:</b>	<table border="0"> <tr> <td>24.001MHz ~ 25.000MHz: 80Ω max.</td> <td>25.001MHz ~ 30.000MHz: 70Ω max.</td> </tr> <tr> <td>30.001MHz ~ 75.000MHz: 60Ω max.</td> <td>75.001MHz ~ 176.000MHz: 50Ω max.</td> </tr> </table>	24.001MHz ~ 25.000MHz: 80Ω max.	25.001MHz ~ 30.000MHz: 70Ω max.	30.001MHz ~ 75.000MHz: 60Ω max.	75.001MHz ~ 176.000MHz: 50Ω max.							
24.001MHz ~ 25.000MHz: 80Ω max.	25.001MHz ~ 30.000MHz: 70Ω max.											
30.001MHz ~ 75.000MHz: 60Ω max.	75.001MHz ~ 176.000MHz: 50Ω max.											
<b>OPERATION MODE</b>	Fundamental or 3 <sup>rd</sup> overtone											

### ■ PACKAGE DIMENSIONS



Unit : mm

### ■ PART NUMBERING GUIDE



Transko Electronics, Inc reserves the right to make changes to the product (s), service (s), and specification (s) described herein without notice. See "Terms of Sale" for details on our website.