

OCXO 20.8 X 13.2 X 10.0mm 14PIN DIP FULL SIZE

FEATURES:

- AT cut
- Low aging, Compact Package
- APPLICATIONS: SDH/SONET, ATM, WLL, Measurement Equipment

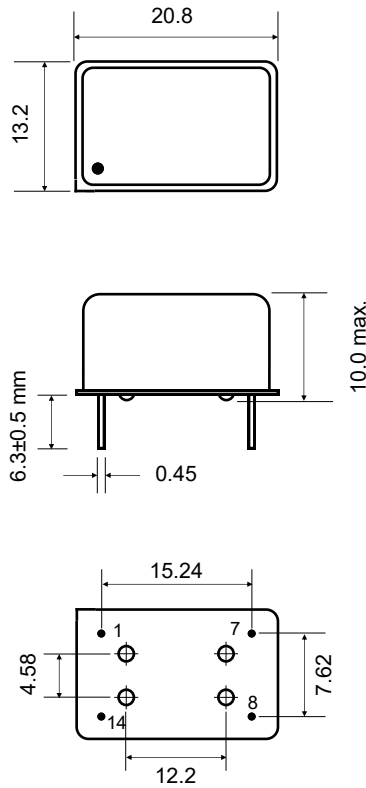


■ SPECIFICATION

FREQUENCY RANGE		2 ~ 100MHz	
STANDARD FREQUENCIES		10MHz, 12.8MHz, 20MHz, 38.88MHz, 100MHz	
FREQUENCY TOLERANCE		±0.5ppm (center control voltage)	
FREQ. STABILITY	Vs. OPERATING TEMPERATURE	±100ppb Typical	
	Vs. LOAD (±10%)	±20ppb	
	Vs. SUPPLY VOLTAGE (±5%)	±20ppb	
SHORT TERM STABILITY		1X10 ⁻¹⁰ /s (10MHz)	
OPERATING TEMPERATURE RANGE		0°C ~ +50°C, -20°C ~ +70°C, -40°C ~ +85°C	
STORAGE TEMPERATURE RANGE		-40°C ~ +100°C	
SUPPLY VOLTAGE		+3.3V _{DC} , +5.0V _{DC} , +12.0V _{DC}	
SUPPLY CURRENT		2.0W max. during warm-up, 1.0W max. when steady	
WARM-UP TIME		±0.5ppm, 3minutes max.	
OUTPUT	LOGIC FAMILY	Sine Wave	HCMOS/LVCMOS
	LOAD	50Ω	15pF typ., 50pF max. available
	LEVEL	2dBm min.	"1" level: 90%V _{DD} min.; "0" level: 10%V _{DD} max.
	HARMONIC	-25dBm max.	-
	NOISE SUPPRESSION	-75dBm max.	-
	SYMMETRY (DUTY CYCLE)	-	45/55%
	RISE/FALL TIME	-	6ns max.(fn<40MHz), 3ns max.(fn>40MHz)
FREQUENCY DEVIATION		±0.5ppm	
CONTROL VOLTAGE	3.3V	0~3.3V	
	5.0V, 12V	0~5.0V	
SLOPE		Positive	
LINEARITY		±10%	
AGING	1 ST YEAR	±0.5ppm	
	10 YEAR	±3.0ppm	
PHASE NOISE	10Hz	-90dBc/Hz	
	100Hz	-120dBc/Hz	
	1kHz	-145dBc/Hz	
	10kHz	-150dBc/Hz	

Transko Electronics, Inc reserves the right to make changes to the product (s), service (s), and specification (s) described herein without notice. See "Terms of Sale" for details on our website.

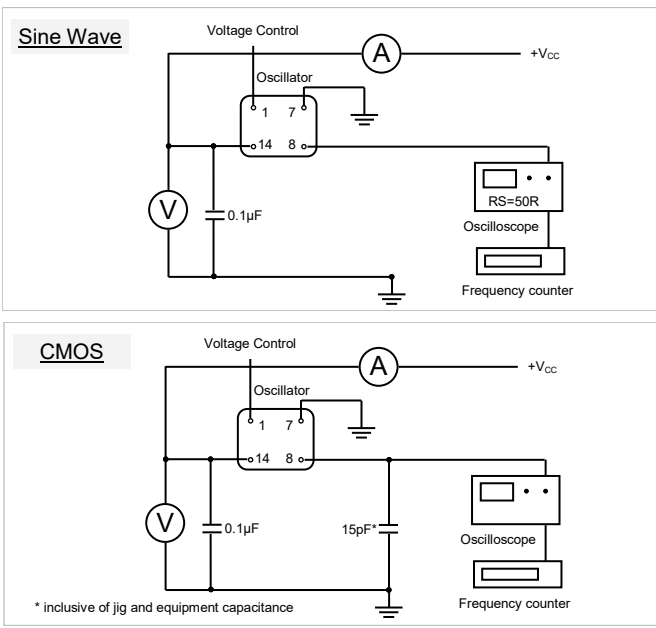
■ **PACKAGE DIMENSIONS**



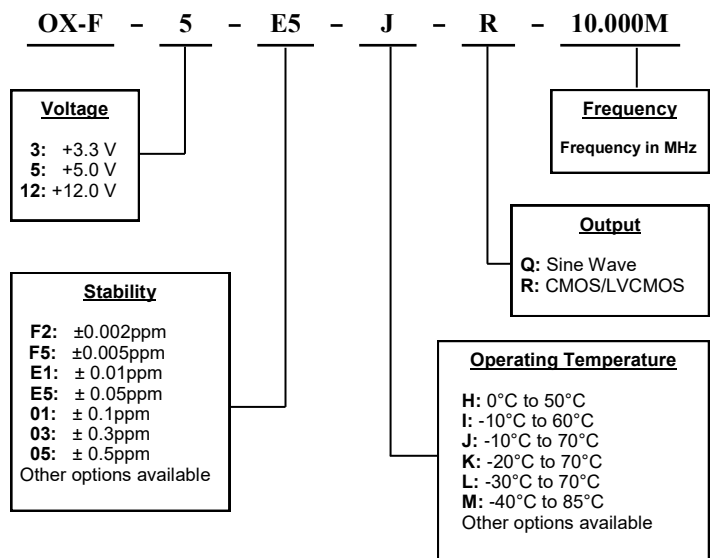
Pin Configuration	
1	V _C
7	GND
8	Output
14	V _{DC}

Unit: mm

■ **TEST CIRCUIT**



■ **PART NUMBERING GUIDE**



Transko Electronics, Inc reserves the right to make changes to the product (s), service (s), and specification (s) described herein without notice. See "Terms of Sale" for details on our website.