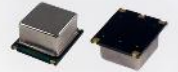


OCXO 25.4 X 22 X 13mm PACKAGE
FEATURES:

- AT/SC cut
- Tight Stability

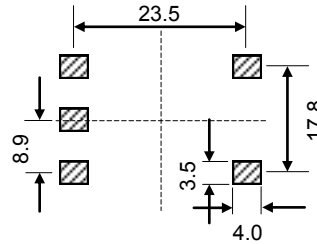
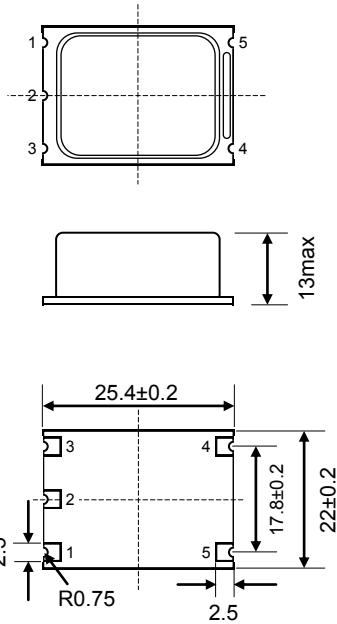

■ SPECIFICATION

FREQUENCY RANGE		2 ~ 100MHz (higher frequency available)	
STANDARD FREQUENCIES		10MHz, 12.8MHz, 20MHz, 38.88MHz, 100MHz	
FREQUENCY TOLERANCE		±0.2ppm (center control voltage)	
FREQ. STABILITY	Vs. OPERATING TEMPERATURE	See Table 1	
	Vs. LOAD (±10%)	±10ppb	
	Vs. SUPPLY VOLTAGE (±5%)	±10ppb	
SHORT TERM STABILITY		1X10 ⁻¹¹ /s (10MHz SC cut)	
STORAGE TEMPERATURE RANGE		-40°C ~ +100°C	
SUPPLY VOLTAGE		+3.3V _{DC} , +5.0V _{DC}	
SUPPLY CURRENT		3.6W max. during warm-up, 1.2W max. when static	
WARM-UP TIME	AT Cut	±0.2ppm, 3minutes max.	
	SC Cut	±0.1ppm, 3minutes max.	
OUTPUT	LOGIC FAMILY	Sine Wave	HCMOS/LVCMOS
	LOAD	50Ω	15pF typ., 50pF max. available
	LEVEL	5dBm min.	"1" level: 90%V _{DD} min.; "0" level: 10%V _{DD} max.
	HARMONIC	-30dBm max.	-
	NOISE SUPPRESSION	-75dBm max.	-
	SYMMETRY (DUTY CYCLE)	-	45/55%
	RISE/FALL TIME	-	6ns max.(fn<40MHz), 3ns max.(fn>40MHz)
FREQUENCY DEVIATION	AT Cut	±3.0ppm	
	SC Cut	±0.7ppm	
CONTROL VOLTAGE	3.3V	0~3.3V	
	5.0V	0~5.0V	
SLOPE		Positive	
LINEARITY		±10%	
AGING	DAY	AT Cut	±2ppb
		SC Cut	±1ppb
	YEAR	AT Cut	±300ppb
		SC Cut	±100ppb
	10 YEAR	AT Cut	±2.0ppm
		SC Cut	±0.5ppm
PHASE NOISE	10Hz	-120dBc/Hz	
	100Hz	-140dBc/Hz	
	1kHz	-145dBc/Hz	
	10kHz	-150dBc/Hz	

Transko Electronics, Inc reserves the right to make changes to the product (s), service (s), and specification (s) described herein without notice. See "Terms of Sale" for details on our website.

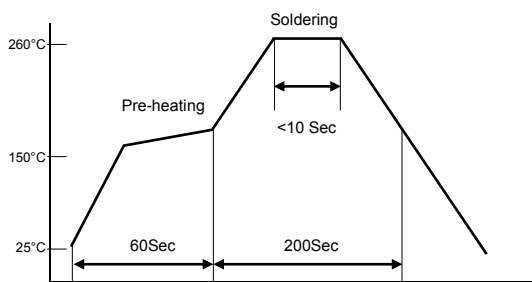
TABLE 1 FREQUENCY STABILITY VS TEMPERATURE

Frequency Stability vs Temperature		Temperature Range
AT CUT	SC CUT	
±50ppb	±5ppb	0°C ~ +50°C
±100ppb	±10ppb	-20°C ~ +70°C
±100ppb	±30ppb	-40°C ~ +75°C

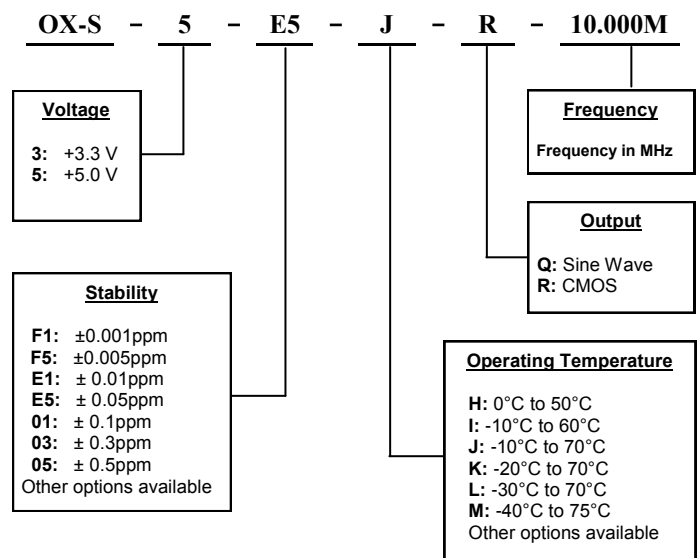
PACKAGE DIMENSIONS


Pin Configuration	
1	V _c
2	Ref. V or N/C
3	V _{bc}
4	RF Output
5	GND

Unit:mm

REFLOW PROFILE


Note: Consult factory for details

PART NUMBERING GUIDE


Transko Electronics, Inc reserves the right to make changes to the product (s), service (s), and specification (s) described herein without notice. See "Terms of Sale" for details on our website.