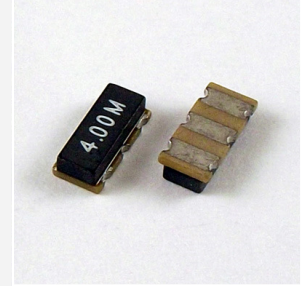


## CERAMIC RESONATORS (7.4 X 3.4 X 1.8mm)

### FEATURES:

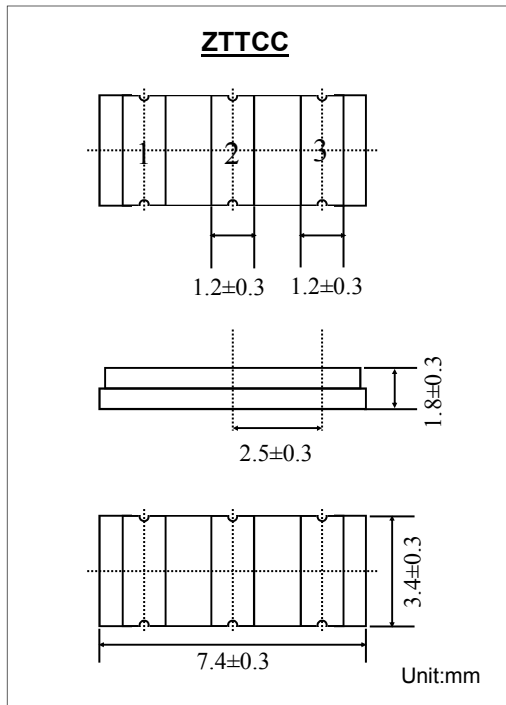
- ZTTCC - BUILT IN LOAD CAPACITORS
- ZTACC - EXTERNAL LOAD CAPACITORS
- ULTRA-SMALL TRUE SURFACE MOUNTABLE
- CAN BE REFLOW SOLDERED
- AVAILABLE IN TAPE AND REEL PACKAGING



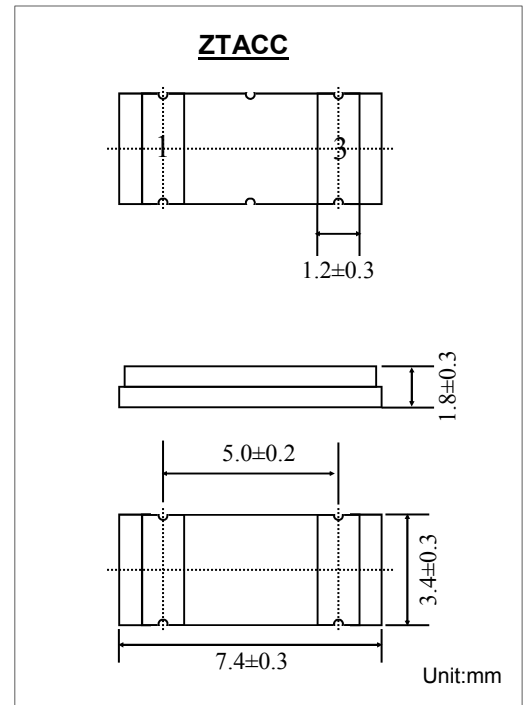
### ■ SPECIFICATION

PARAMETER		NOTE
FREQUENCY RANGE	2.000 ~ 8.000 MHz	See P/N guide for other options
FREQ. ACCURACY @ 25°C	± 0.5 % Max	
TEMPERATURE STABILITY	± 0.3 % Max	
TEMPERATURE RANGE	-20°C to 80°C	Standard option
	-40°C to 85°C	EXT option
AGING	10years ± 0.3 % Max	
RESONANT IMPEDANCE	80Ω Max	2.00 ~ 2.99 MHz
	50Ω Max	3.00 ~ 3.49 MHz
	30Ω Max	3.50 ~ 8.00 MHz

### ■ PACKAGE DIMENSIONS

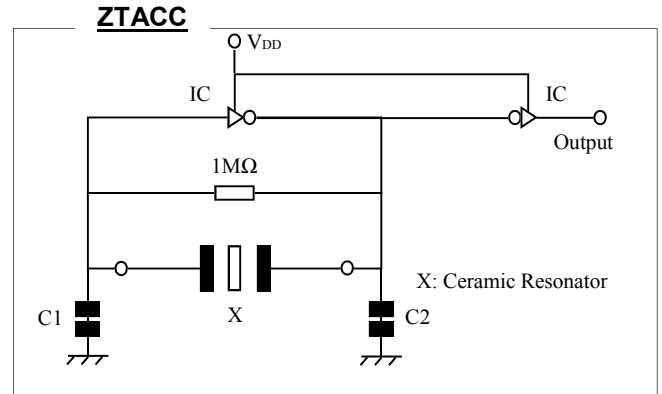
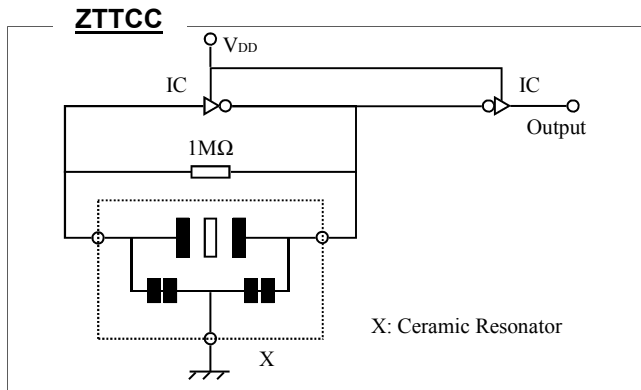


Pad	Function
1	Input (Output)
2	Gnd
3	Output (Input)



Transko Electronics, Inc reserves the right to make changes to the product (s), service (s), and specification (s) described herein without notice. See "Terms of Sale" for details on our website.

## TEST CIRCUIT



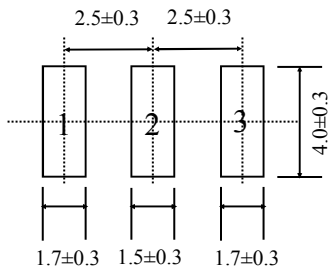
Frequency Range	C1(pF)	C2(pF)
2.00~8.00MHz	Built-in (30)	Built-in (30)

Frequency Range	C1(pF)	C2(pF)
2.00~8.00MHz	30	30

Type	ZTTCC
Frequency Range	2.0~8.0MHz
IC	CD409UBE

Type	ZTACC
Frequency Range	2.0~8.0MHz
IC	TC4069UBP
VDD	+5V

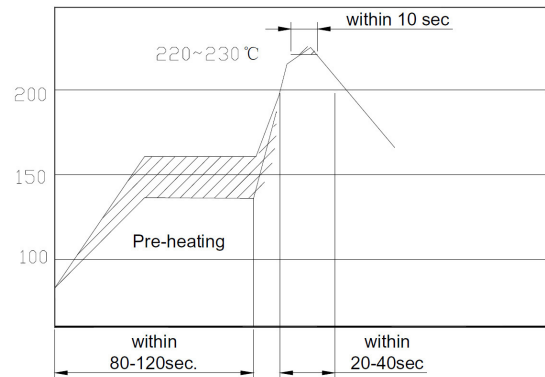
## SOLDER PATTERN



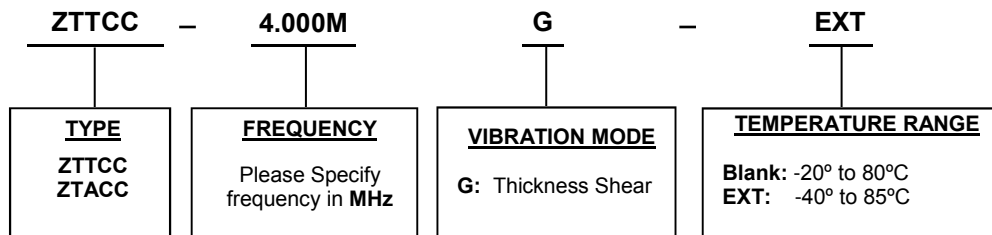
Omit pad 2 for ZTACC

Unit:mm

## REFLOW PROFILE



## PART NUMBERING GUIDE



Transko Electronics, Inc reserves the right to make changes to the product (s), service (s), and specification (s) described herein without notice. See "Terms of Sale" for details on our website.