

### CERAMIC THROUGH HOLE RESONATORS - 2PINS

**FEATURES:**

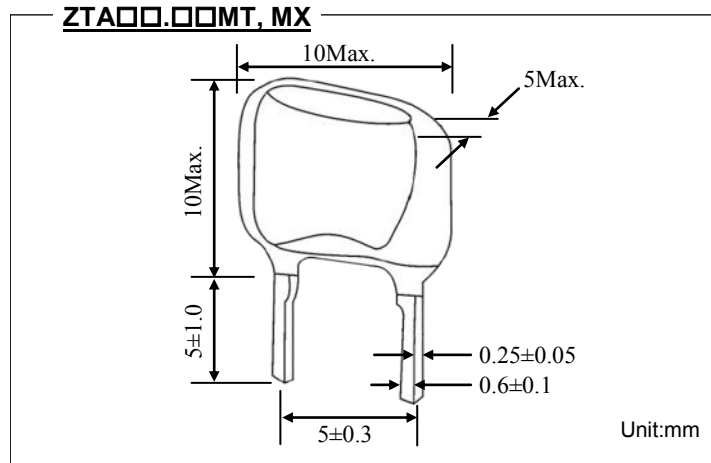
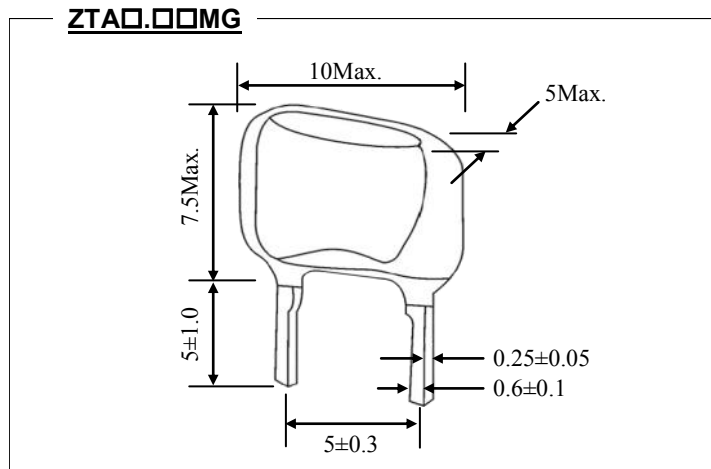
- LOW PROFILE
- WIDE FREQUENCY RANGE
- EXTENDED TEMPERATURE RANGE
- ROHS COMPLIANT



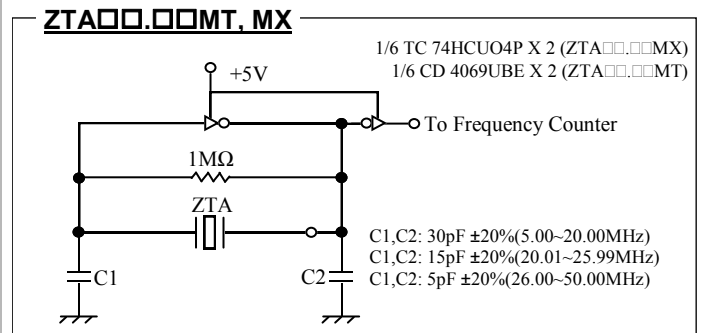
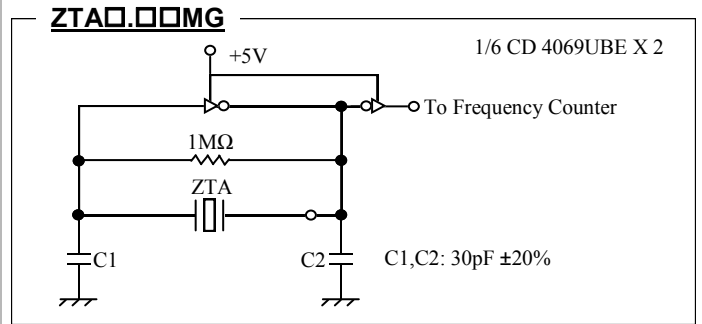
**■ SPECIFICATION**

PART NUMBER	FREQUENCY RANGE (MHz)	FREQUENCY ACCURACY @ 25°C (%)	STABILITY IN TEMPERATURE -20°C ~ +80°C	AGING FOR TEN YEARS (%)	RESONANT RESISTANCE (Ω) MAX
ZTA□.□□MG	2.00 ~ 2.99	±0.5	±0.3	±0.3	80
ZTA□.□□MG	3.00 ~ 3.49	±0.5	±0.3	±0.3	50
ZTA□.□□MG	3.50 ~ 8.00	±0.5	±0.3	±0.3	30
ZTA□.□□MT	6.01 ~ 6.99	±0.5	±0.3	±0.3	30
ZTA□□.□□MT	7.00 ~ 13.00	±0.5	±0.3	±0.3	25
ZTA□□.□□MX	13.01 ~ 50.00	±0.5	±0.3	±0.3	30

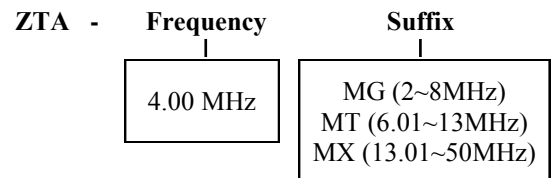
**■ PACKAGE DIMENSIONS**



**■ TEST CIRCUIT**



**■ PART NUMBERING GUIDE**



Transko Electronics, Inc reserves the right to make changes to the product (s), service (s), and specification (s) described herein without notice. See "Terms of Sale" for details on our website.