

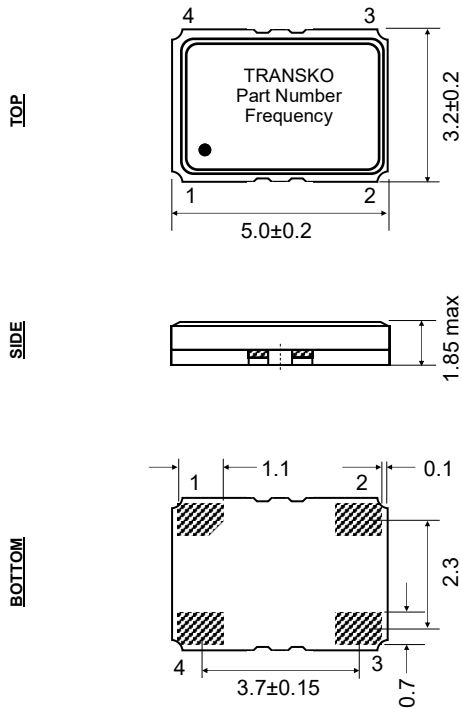
TCXO/VCTCXO ULTRA MINIATURE SMD (5.0 x 3.2 x 1.2mm)
FEATURES:

- HIGH STABILITY UP TO ± 0.1 ppm
- LOW PHASE NOISE
- USED FOR FEMTOCELL APPLICATION

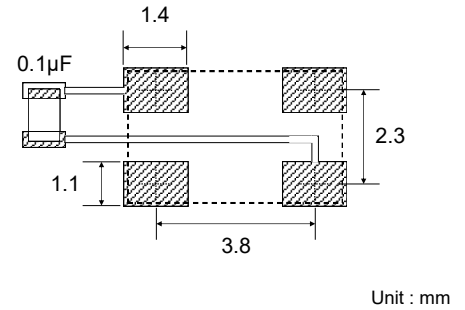
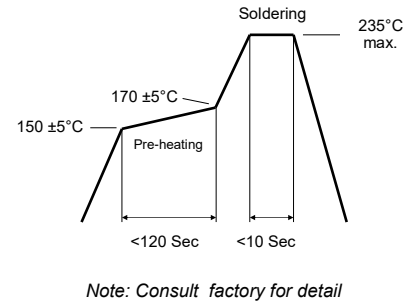
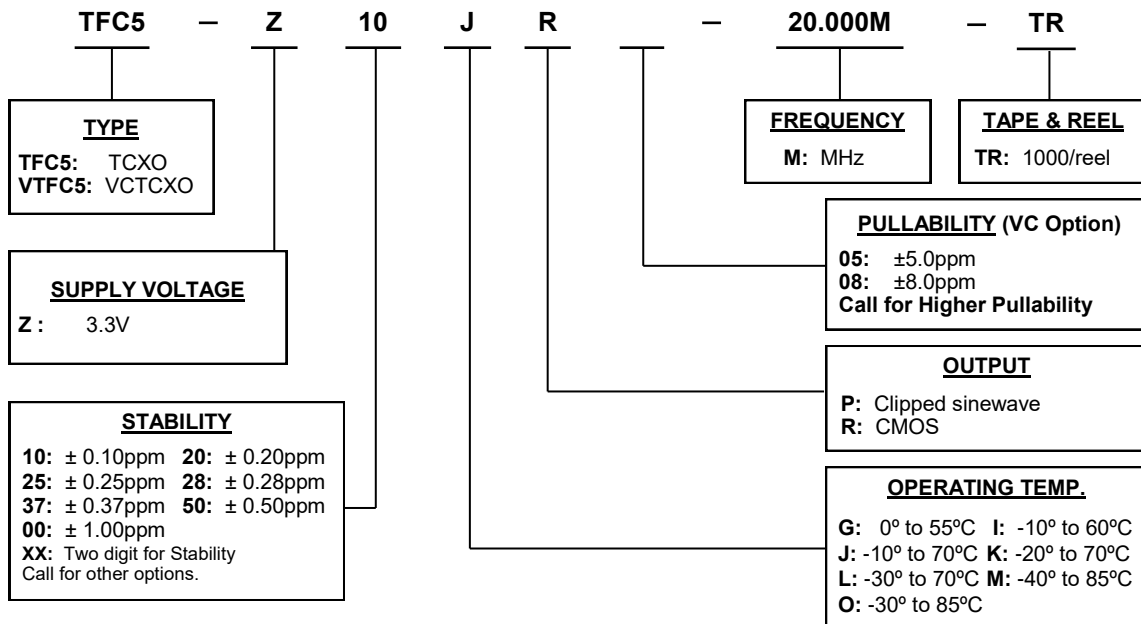

■ SPECIFICATION

PARAMETER		MIN.	TYP.	MAX.	UNIT	NOTE	
FREQUENCY RANGE	3.3V	10		52	MHz	CMOS & CSW	
STANDARD FREQUENCIES		10M, 12.8M, 13M, 14.4M, 16.368M, 16.369M, 16.8M, 19.2M, 19.68M, 20M, 24.5535M, 25M, 26M, 30.72M, 32M, 40M, 44M, 50M, 52M					
FREQUENCY TOLERANCE				± 2.0	ppm		
FREQUENCY STABILITY	vs. TEMPERATURE RANGE	± 0.1		± 1.0	ppm	See P/N guide for other options	
	vs. LOAD $\pm 10\%$			± 0.2	ppm		
	vs. SUPPLY VOLTAGE $\pm 5\%$	CMOS			± 0.2	ppm	
		CSW			± 0.2	ppm	
vs. AGING				± 1.0	ppm/year		
OPERATING TEMPERATURE RANGE		-40		+85	$^{\circ}\text{C}$	See P/N guide for other options	
STORAGE TEMPERATURE RANGE		-55		-125	$^{\circ}\text{C}$		
SUPPLY VOLTAGE		3.135	3.3	3.465	V		
SUPPLY CURRENT	CMOS	10MHz $\leq f \leq$ 40MHz		6.0	mA		
		40MHz $\leq f \leq$ 52MHz		8.0	mA		
	CSW	10MHz $\leq f \leq$ 52MHz		5.0	mA		
OUTPUT	LOAD	CMOS	15pF				
		CSW	10k Ω //10pF				
	LEVEL	CMOS (V_{OH})	$0.9 \times V_{DD}$			V	
		CMOS (V_{OL})			$0.1 \times V_{DD}$	V	
		CSW	0.8			V_{P-P}	
	SYMMETRY (DUTY CYCLE)		45		55	%	For CMOS
	RISE AND FALL TIME (T_r/T_f)				10	nS	
	START-UP TIME				5.0	mS	
FREQUENCY DEVIATION		± 5.0			ppm	See P/N guide for other options	
CONTROL VOLTAGE		0.5		2.5	V		
V_c INPUT IMPEDANCE		100			k Ω		
PHASE NOISE	100Hz			-125		@ 10MHz	
	1kHz			-145			
	10kHz			-150			

Transko Electronics, Inc reserves the right to make changes to the product (s), service (s), and specification (s) described herein without notice. See "Terms of Sale" for details on our website.

PACKAGE DIMENSIONS


Pad Connections	
1	NC or VC
2	GND
3	Output
4	V _{DD}

SOLDER PATTERN

REFLOW PROFILE

PART NUMBERING GUIDE


Transko Electronics, Inc reserves the right to make changes to the product (s), service (s), and specification (s) described herein without notice. See "Terms of Sale" for details on our website.