

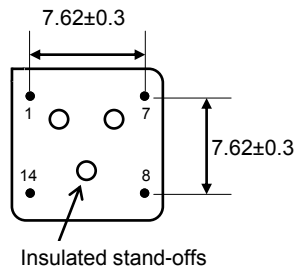
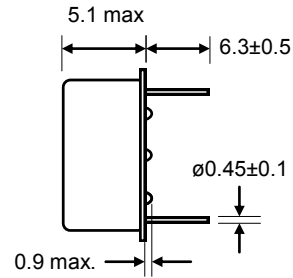
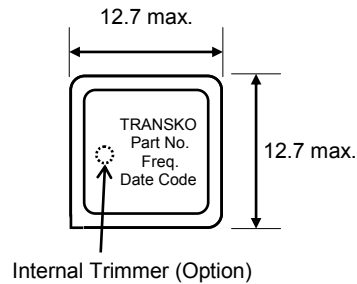
**TCXO HALF SIZE HERMETIC SEALED (12.7 x 12.7 x 5.1mm)**
**FEATURES:**

- WIDE FREQUENCY RANGES
- TIGHT STABILITY AVAILABLE
- LVDS / PECL OUTPUT


**■ SPECIFICATION**

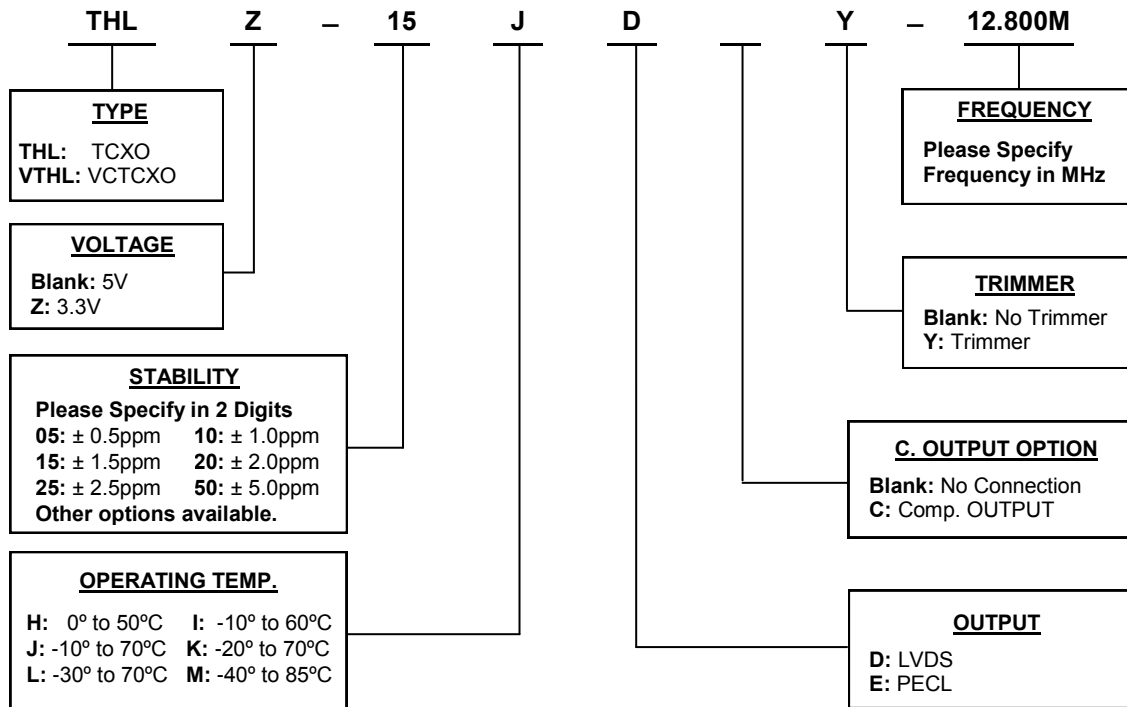
PARAMETER		MIN.	TYP.	MAX.	UNIT	NOTE
FREQUENCY RANGE		750K		800M	Hz	
FREQUENCY STABILITY	vs. TEMPERATURE	±0.5		±5.0	ppm	See P/N guide for other options
	vs. LOAD ± 10%			±0.2	ppm	
	vs. SUPPLY VOLTAGE ± 5%		±0.1	±0.3	ppm	
	vs. AGING			±1.0	ppm/year	@ 25°C
OPERATING TEMPERATURE RANGE		-40		85	°C	See P/N guide for other options
STORAGE TEMPERATURE RANGE		-55		125	°C	
SUPPLY VOLTAGE ±5%		3.3		5.0	V	See P/N guide for other options
SUPPLY CURRENT	0.75MHz ≤ f ≤ 24MHz			25	mA	
	24MHz < f ≤ 800MHz			100	mA	
LOGIC FAMILY		LVDS / PECL				
LOAD	LVDS	100			Ω	Output - Complimentary Output
	PECL	50			Ω	into V <sub>DD</sub> - 2V <sub>DC</sub>
LEVEL	LVDS (V <sub>OH</sub> )		1.43		V	
	LVDS (V <sub>OL</sub> )		1.10		V	
	PECL (V <sub>OH</sub> )	V <sub>DD</sub> - 1.025V			V	
	PECL (V <sub>OL</sub> )			V <sub>DD</sub> - 1.62V	V	
DIFFERENTIAL OUTPUT VOLTAGE			330		mV	
OFFSET VOLTAGE			1.2		V	
SYMMETRY (DUTY CYCLE)		45		55	%	
RISE AND FALL TIME (Tr/Tf)				1.0	nS	
FREQUENCY ADJUSTMENT (OPTION)		±3.0			ppm	By internal trimmer
PHASE NOISE	10Hz		-80		dBc/Hz	@ 20.0MHz offset
	100Hz		-120		dBc/Hz	
	1kHz		-135		dBc/Hz	
	10kHz		-140		dBc/Hz	
	100kHz		-145		dBc/Hz	

Transko Electronics, Inc reserves the right to make changes to the product (s), service (s), and specification (s) described herein without notice. See "Terms of Sale" for details on our website.

**■ PACKAGE DIMENSIONS**


Pin Connections	
1	N.C or C. Output
7	GND
8	Output
14	V <sub>DD</sub>

Unit : mm

**■ PART NUMBERING GUIDE**


Transko Electronics, Inc reserves the right to make changes to the product (s), service (s), and specification (s) described herein without notice. See "Terms of Sale" for details on our website.