

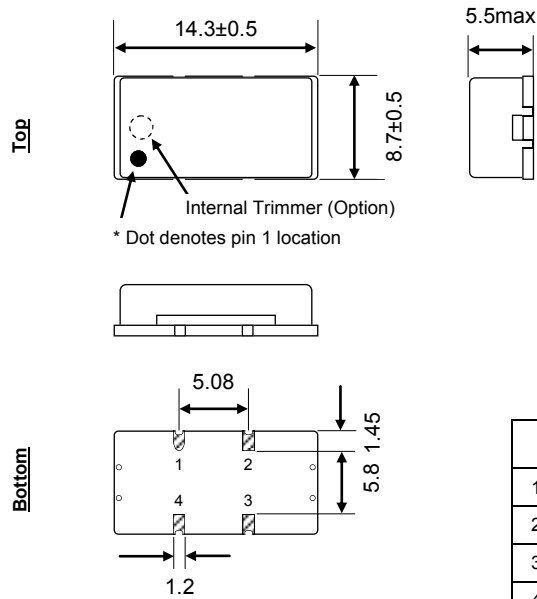
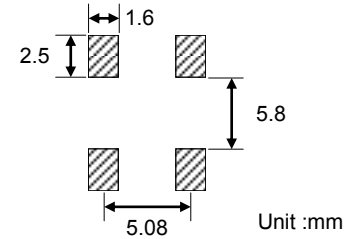
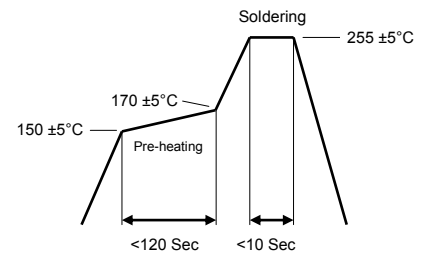
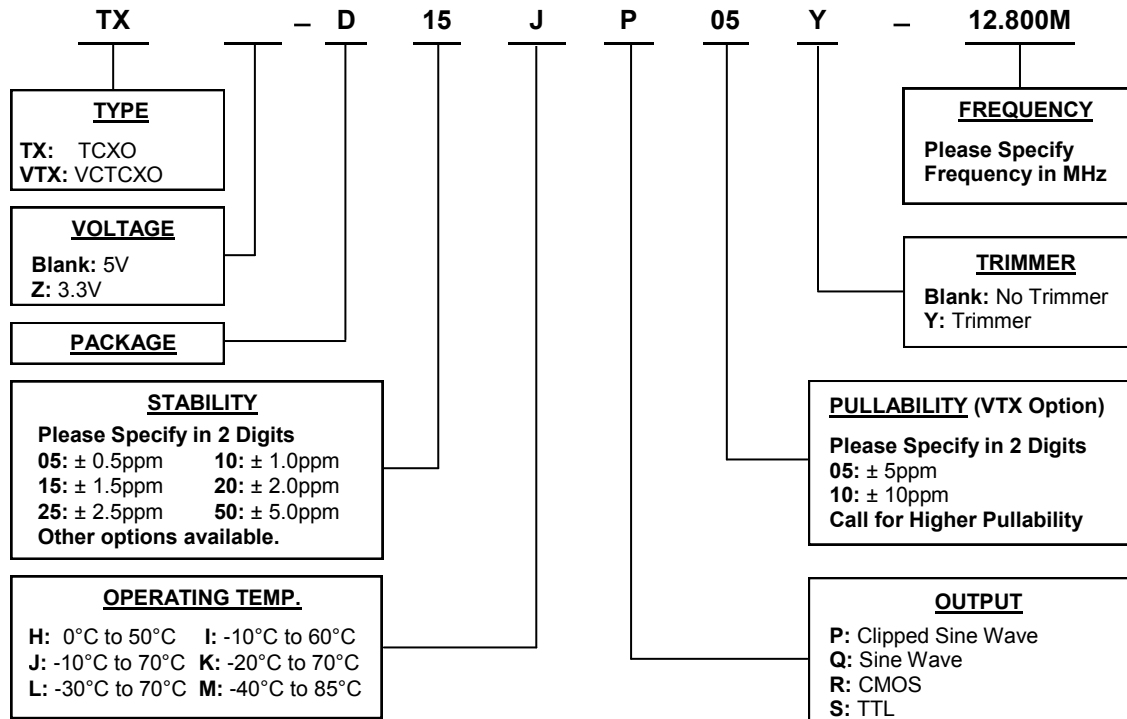
TCXO/VCTCXO FR4 BASE SMD (14.3 x 8.7 mm)
FEATURES:

- WIDE FREQUENCY RANGES
- TIGHT STABILITY AVAILABLE
- STANDARD PACKAGE


■ SPECIFICATION

PARAMETER		MIN.	TYP.	MAX.	UNIT	NOTE	
FREQUENCY RANGE	CMOS / TTL	1K		800M	Hz		
	CSW / SW	10		50	MHz		
FREQUENCY STABILITY	vs. TEMPERATURE		±0.5		±5.0	ppm	See P/N guide for other options
	vs. LOAD ± 10%	CMOS / TTL			±0.2	ppm	
		CSW / SW			±0.2	ppm	
	vs. SUPPLY VOLTAGE ± 5%	CMOS / TTL		±0.1	±0.3	ppm	
		CSW / SW			±0.2	ppm	
vs. AGING				±1.0	ppm/year	@ 25°C	
OPERATING TEMPERATURE RANGE		-40		85	°C	See P/N guide for other options	
STORAGE TEMPERATURE RANGE		-55		125	°C		
SUPPLY VOLTAGE ±5%		3.3		5.0	V	See P/N guide for other options	
SUPPLY CURRENT	CMOS / TTL			100	mA		
	CSW			10	mA		
	SW			30	mA		
OUTPUT	LOGIC FAMILY		CMOS / TTL / CSW / SW				
	LOAD	CMOS / TTL	15pF / 10TTL				
		CSW / SW	10kΩ//10pF / 50Ω				
	LEVEL	CMOS (V _{OH})	0.9 x V _{DD}			V	
		CMOS (V _{OL})			0.1 x V _{DD}	V	
		TTL (V _{OH})	2.4			V	
		TTL (V _{OL})			0.4	V	
		CSW (3.3V)	0.8			V _{P-P}	
		CSW (5.0V)	1.0			V _{P-P}	
		SW (3.3V)		0		dBm	
		SW (5.0V)		10		dBm	
	SYMMETRY (DUTY CYCLE)		40		60	%	CMOS/TTL only
	RISE AND FALL TIME (Tr/Tf)				10	nS	CMOS/TTL only
FREQUENCY DEVIATION		±5		±20	ppm		
CONTROL VOLTAGE	3.3V	0.15		3.15	V		
	5.0V	0.5		4.5	V		
FREQUENCY ADJUSTMENT (OPTION)		±3.0			ppm	By internal trimmer	
PHASE NOISE	10Hz		-80		dBc/Hz	@ 20.0MHz offset	
	100Hz		-120		dBc/Hz		
	1kHz		-135		dBc/Hz		
	10kHz		-140		dBc/Hz		
	100kHz		-145		dBc/Hz		

Transko Electronics, Inc reserves the right to make changes to the product (s), service (s), and specification (s) described herein without notice. See "Terms of Sale" for details on our website.

■ PACKAGE DIMENSIONS

■ SOLDER PATTERN

■ REFLOW PROFILE

■ PART NUMBERING GUIDE


Transko Electronics, Inc reserves the right to make changes to the product (s), service (s), and specification (s) described herein without notice. See "Terms of Sale" for details on our website.