

SMD VOLTAGE CONTROLLED OSCILLATOR (10.2 X 7.2 X 2.8MM)

FEATURES

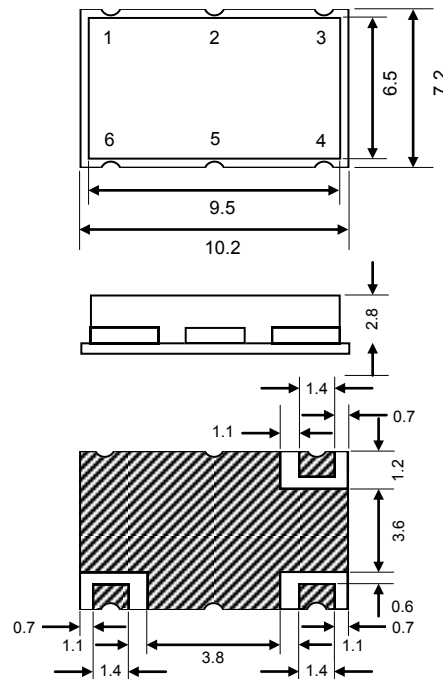
- FREQUENCY RANGE : 200~3500MHZ
- LOW POWER VOLTAGE (5V, 3V AVAILABLE)
- ROHS COMPLIANT



■ SPECIFICATION

MODEL	FREQUENCY (MHz)	TUNING VOLTAGE (V)	TUNING SENSITIVITY (MHz/V)	PHASE NOISE @10KHz (dBc/Hz)	HARMONICS (dBc)Typ	POWER SUPPLY (V/mA)max	INPUT CAPACITANCE (pF) Typ
TVCO220-A	212~228	0.5~4.5	5	-113	-12	5/15	400
TVCO615-A	600~630	0.5~4.5	12	-113	-12	5/15	51
TVCO832-A	820~845	0.5~4.5	12	-110	-12	5/20	51
TVCO875-A	865~885	0.5~2.5	17	-110	-15	5/12	51
TVCO1018-A	1000~1036	0.5~4.5	17	-110	-15	5/20	51
TVCO1551-A	1525~1575	0.5~4.5	22	-103	-15	5/20	51
TVCO1810-A	1770~1850	0.5~4.5	33	-102	-15	5/25	47
TVCO2240-A	2200~2280	0.5~4.5	35	-100	-15	5/25	47
TVCO2400-A	2350~2450	0.5~4.5	48	-100	-15	5/25	30
TVCO2850-A	2820~2880	0.5~4.5	33	-95	-15	5/25	30
TVCO3340-A	3300~3380	0.5~4.5	38	-92	-15	5/30	20

■ PACKAGE DIMENSIONS



Unit : mm

Pin Configuration	
1	Tuning Voltage
2	GND
3	Supply Voltage
4	RF OUT
5	GND
6	GND

Transko Electronics, Inc reserves the right to make changes to the product (s), service (s), and specification (s) described herein without notice. See "Terms of Sale" for details on our website.